



Volvo Construction Equipment

SD25

VOLVO SINGLE DRUM COMPACTOR 2.7 t 31.4 kW



A passion for performance.

At Volvo Construction Equipment, we're not just coming along for the ride. Developing products and services that raise productivity – we are confident we can lower costs and increase profits for industry experts. Part of the Volvo Group, we are passionate about innovative solutions to help you work smarter – not harder.

Helping you to do more.

Doing more with less is a trademark of Volvo Construction Equipment. High productivity has long been married to low energy consumption, ease of use and durability. When it comes to lowering life-cycle costs, Volvo is in a class of its own.

Designed to fit your needs.

There is a lot riding on creating solutions that are suited to the particular needs of different industry applications. Innovation often involves high technology – but it doesn't always have to. Some of our best ideas have been simple, based on a clear and deep understanding of our customers' working lives.



You learn a lot in 180 years.

Over the years, Volvo has advanced solutions that have revolutionized the use of construction equipment. No other name speaks Safety louder than Volvo. Protecting operators, those around them and minimizing our environmental impact are traditional values that continue to shape our product design philosophy.

We're on your side.

We back the Volvo brand with the best people. Volvo is truly a global enterprise, one that is on standby to support customers quickly and efficiently – wherever they are.

We have a passion for performance.



Volvo Trucks



Renault Trucks



Mack Trucks



UD Trucks



Volvo Buses



Volvo Construction Equipment



Volvo Penta



Volvo Financial Services



Centrifugal force

The combination of high centrifugal force and heavy drum weight facilitates excellent compaction – allowing you to achieve material target density in fewer passes.

Versatility for all your jobs.

The SD25 has outstanding maneuverability and versatility. Excellent gradeability and traction make the SD25 the right choice for the commercial and residential site development, utility installations, roads, driveways and landscaping jobs.



Stable maneuverability

Articulation joint provides up to +/- 12 degrees oscillation angle and a frame articulation of +/- 35 degrees, for greater stability and maneuverability.



Gradeability

The Volvo traction system provides excellent climbing and traction capabilities in difficult applications such as steep inclines or slippery surfaces. The system prevents wheel or drum spin, improving gradability, performance and productivity.



Safety equipments

The ROPS/FOPS certified operator platform provides a safe and comfortable working environment with all-around visibility.



Padfoot shell

With minimal tools and equipment, the SD25 is quickly and easily converted from smooth to padfoot drum by clamping on a padfoot shell. This allows the machine to work in different applications and increases versatility.

Little in size, big on performance.

Serviceability

Rear hinged engine allows easy access to all major components and gives more uptime.

Isolated platform

Vibration-isolated, anti-slip operator platform with ergonomic design reduces operator's fatigue.



Maneuverability

The articulation joint offers an oscillation angle of +/- 12 degrees and frame articulation of +/- 35 degrees for more stability and mobility.



Centrifugal force

High centrifugal force and heavy drum weight ensure excellent compaction, allowing you to achieve material target density in fewer passes.





Visibility

The ROPS/FOPS certified operator platform provides a safe and comfortable working environment with all-round visibility.

Clamp-on padfoot

For increased versatility, easily convert the compactor from smooth to padfoot drum by clamping on a padfoot shell.

Gradeability

This machine provides excellent climbing and traction capabilities in difficult applications such as steep inclines or slippery surfaces.





Customer Support Agreements

The range of Customer Support Agreements offer preventive maintenance, total repairs and a number of uptime services. Volvo uses the latest technology to monitor machine operation and status, giving you advice to increase your profitability. By having a Customer Support Agreement you are in control of your service costs.

Adding value to your business.

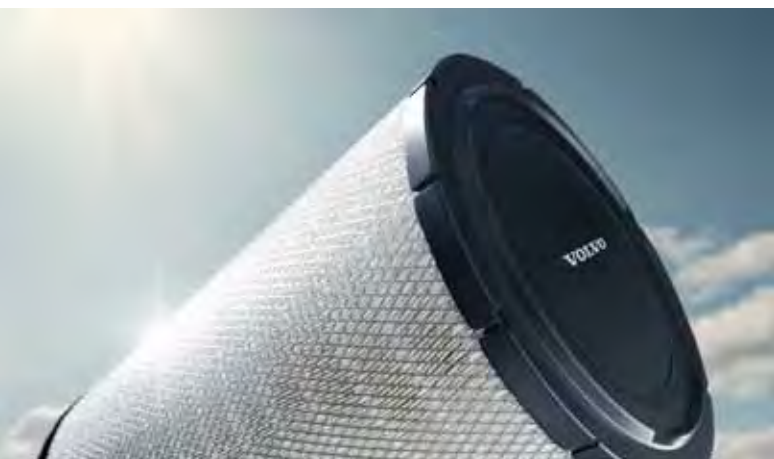
Being a Volvo customer means having a complete set of services at your fingertips. Volvo can offer you a long-term partnership, protect your revenue and provide a full range of customer solutions using high quality parts, delivered by passionate people. Volvo is committed to the positive return of your investment.



Complete Solutions

Volvo has the right solution for you. So why not let us provide all your needs throughout the whole life cycle

of your machine? By listening to your requirements, we can reduce your total cost of ownership and increase your revenue.



Genuine Volvo Parts

Our attention to detail is what makes us stand out. This proven concept acts as a solid investment in your machine's future. Parts are extensively tested and approved because every part is vital for uptime and performance. Only by using Genuine Volvo Parts, can you be sure that your machine retains the renowned Volvo quality.



Service Network

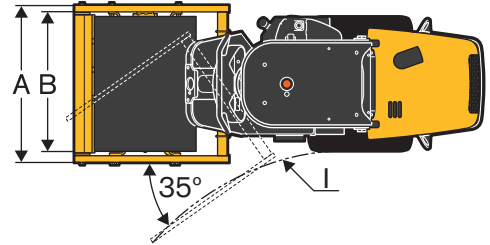
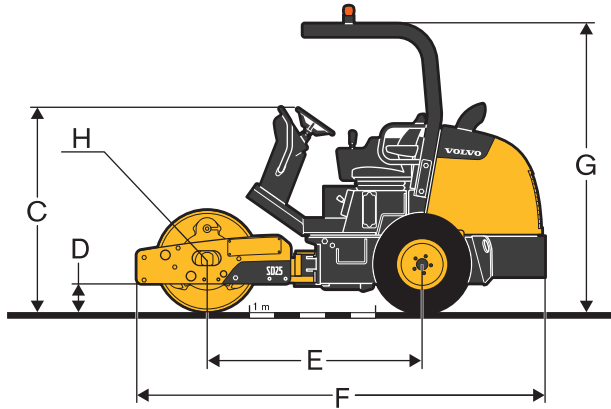
In order to respond to your needs faster, a Volvo expert is on their way to your job site from one of our Volvo facilities. With our extensive infrastructure of technicians, workshops and dealers, Volvo has a comprehensive network to fully support you using local knowledge and global experience.

Specifications.

Model	SD25		
	Smooth drum	Padfoot drum	
Machine weights (w/ ROPS / FOPS)			
Operating weight (CECE)	kg	2 664	2 685
Static weight @ drum	kg	1 331	1 415
Static weight @ tires	kg	1 333	1 270
Shipping weight	kg	2 580	2 600
Drum			
Width	mm	1 050	1 050
Diameter (Rolling)	mm	792	912
Shell thickness	mm	14	14
Number of pad feet		-	45
Pad height	mm	-	64
Pad tip area	cm ²	-	110
Vibration			
Frequency	Hz	37	37
Centrifugal force	kN	56	56
Nominal amplitude	mm	1,4	1,2
Propulsion			
Type system	Hydrostatic with Twin Lock torque transfer system, single-speed		
Tire size	8 x 16 - R1 6PR	8 x 16 - R1 6PR	
Drum drive	Low speed, high torque motor		
Travel speed	km/h	0-7.4	0-7.4
Engine			
Make / model	Kubota V2203-M Tier 4		
Engine type	Turbocharged 4-cylinder		
Rated power	kW (hp)	31.4 (42) @ 2450 rpm	
Electrical system	12 volts DC, negative ground; 40 A alternator; 785 CCA battery		
Brakes			
Service	Dynamic hydrostatic through propulsion system		
Parking / secondary	Spring-applied, hydraulically released on rear motors		
Miscellaneous			
Articulation		+ / - 35°	+ / - 35°
Oscillation angle		+ / - 12°	+ / - 12°
Inside turning radius (measured to drum edge)	mm	2 148	2 148
Fuel capacity	l	45	45
Hydraulic oil capacity	l	76	76
Gradeability (theoretical)	%	75	65

Product improvement is a continuing goal at Volvo. Designs and specifications are subject to change without notice or obligation.

Equipment.



Dimensions

		Smooth drum	Padfoot drum
A	mm	1 220	1 220
B	mm	1 050	1 050
C	mm	1 586	1 638
D	mm	217	249
E	mm	1 673	1 673
F	mm	3 180	3 180
G	mm	2 250	2 294
H	mm	396	456
I	mm	2 148	2 148

SELECTION OF VOLVO OPTIONAL EQUIPMENT

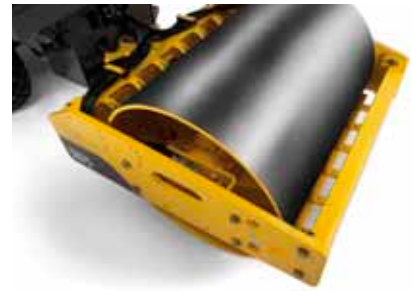
Strike off blade



Anti-vandalism cover



Inside scraper



Work lights



Diamond tread and traction tire



Padfoot drum



Not all products are available in all markets. Under our policy of continuous improvement, we reserve the right to change specifications and design without prior notice. The illustrations do not necessarily show the standard version of the machine.

VOLVO

Volvo Construction Equipment

www.volvoce.com