



Volvo Construction Equipment

EC480E

VOLVO EXCAVATORS 45.6-53.9t 378hp



E is for efficiency.

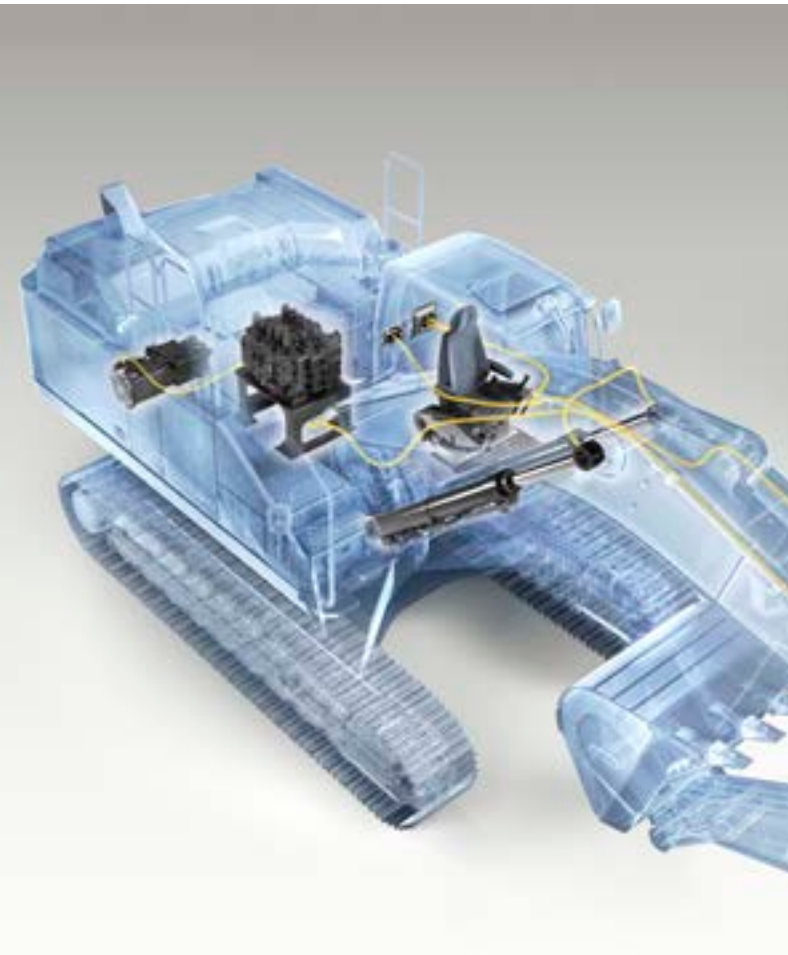
Introducing the EC480E crawler excavator from Volvo – a powerful and efficient production machine designed to reduce fuel consumption and increase productivity. With advanced technology including Volvo’s unique ECO mode and a new electro-hydraulic control system, the EC480E delivers fuel efficiency improvement.

Advanced hydraulics

The new electro-hydraulic system uses intelligent technology to control on-demand flow and reduce internal losses in the hydraulic circuit. This increases controllability, shortens cycle times and improves fuel efficiency – resulting in higher productivity and performance.

Work modes

Volvo’s unique, integrated work mode system now includes the G4 mode for optimum fuel efficiency and machine performance. Operators can choose the best work mode for the task at hand – select from I (Idle), F (Fine), G (General), H (Heavy) and P (Power max).



Automatic idling system

Engine speed is reduced to idle when the controls are inactive for a pre-set amount of time (between 3 and 20 seconds). This reduces fuel consumption and noise.

Auto engine shut down

To reduce fuel consumption, the engine will automatically switch off when the machine is inactive for a pre-set amount of time (five minutes is the default setting).

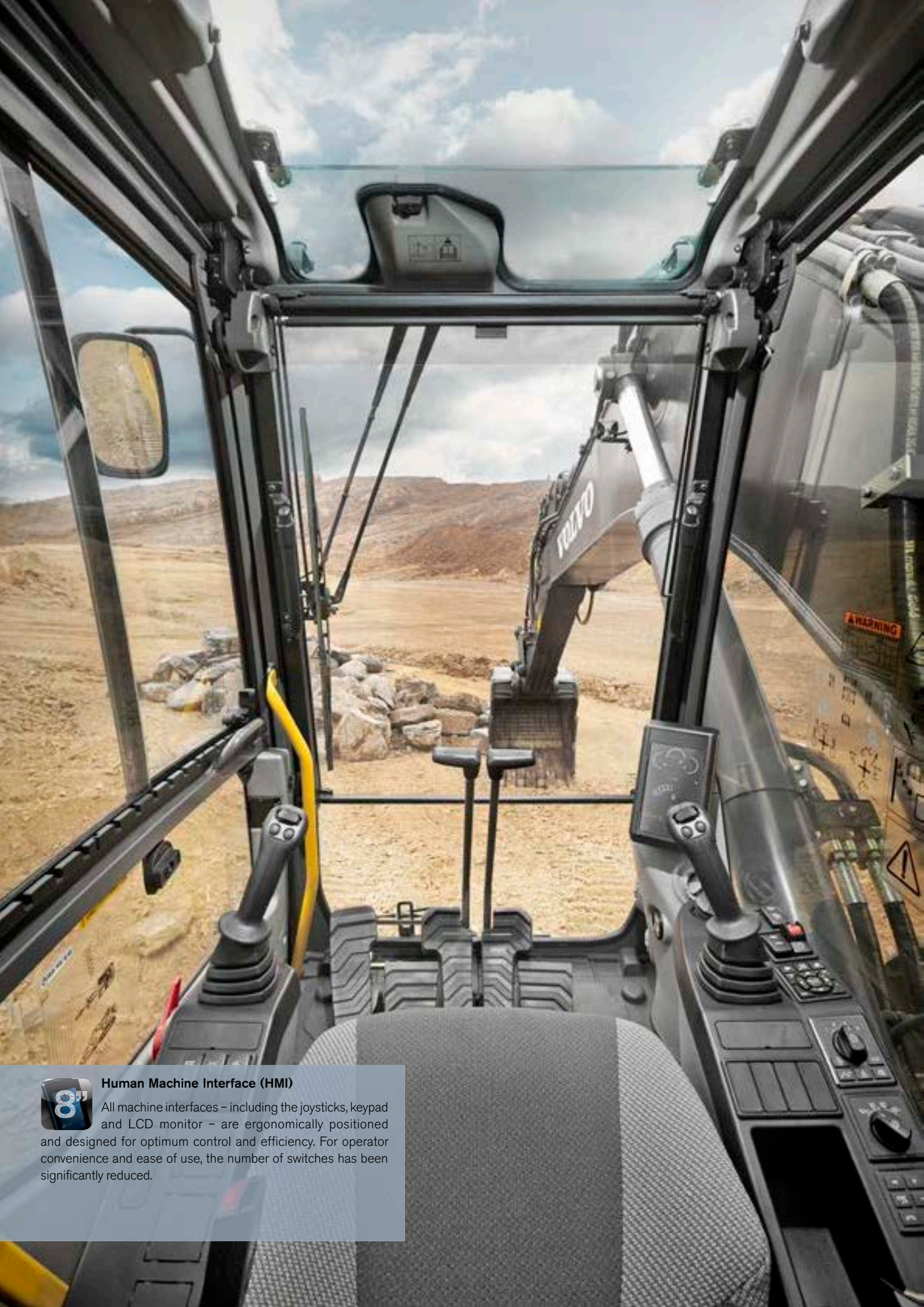
Fuel consumption display

A gauge bar on the monitor measures both instantaneous fuel consumption and average fuel consumption. This allows machine owners and operators to monitor fuel usage on different job sites.



ECO mode

Volvo's unique ECO mode optimizes the hydraulic system to reduce flow and pressure losses – resulting in improved fuel efficiency without any loss of performance in most operating conditions. ECO mode is automatically selected but can be switched off via the keypad.



Human Machine Interface (HMI)

All machine interfaces – including the joysticks, keypad and LCD monitor – are ergonomically positioned and designed for optimum control and efficiency. For operator convenience and ease of use, the number of switches has been significantly reduced.

Productivity at your fingertips.

The EC480E has been expertly designed with both the machine owner and operator in mind. With ideally placed controls and switches and a user-friendly LCD monitor and keypad, the task at hand becomes easier and operators will work with increased efficiency – resulting in more productivity.

Keypad

The optimally positioned keypad allows the operator to easily navigate through the LCD monitor and activate machine functions in a safe and comfortable way. The functionality of the camera, air conditioning and lights can be customized via the hot key – enabling the operator to select and save desired configurations.

LCD monitor

The new, color, eight inch LCD monitor displays machine status information including fuel consumption data and service interval alerts – enabling increased uptime and high productivity. The user-friendly design is easy to read in any light conditions.



Shortcut switch

The windshield wipers, camera, audio mute or power max function can be assigned to a shortcut switch located on the joystick. This allows the operator to easily control the selected function by simply pressing a switch.

Seatbelt warning alarm

If the seatbelt is not fastened when the ignition key is turned, a sensor triggers an alarm which sounds for three seconds.

Bluetooth®

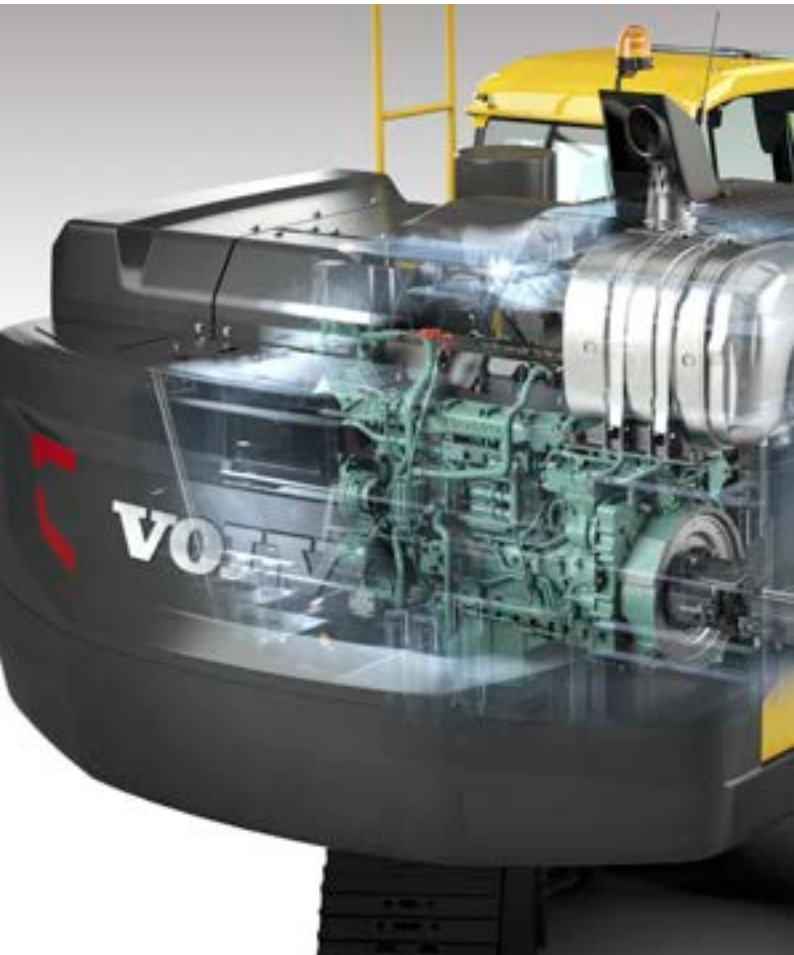
For added convenience, operators can now connect a Bluetooth device to the machine.

The source of productivity.

Volvo puts customer needs at the heart of its design process. That's why the EC480E not only increases productivity with 5% faster cycle times, but also improves fuel efficiency and meets the latest Stage IV/ Tier 4 Final engine emission legislation. Capitalize on high torque at low rpm and experience superior performance and reduced fuel consumption.

Diesel-driven heater

The optional diesel-driven coolant heater helps to start the engine in low temperatures while simultaneously heating the cab. The heater can be set in advance to engage at a specific date and time.



Volvo After Treatment System

During the fully automatic regeneration process, particulate matter in the Diesel Particulate Filter is oxidized at low exhaust temperatures via passive regeneration. Volvo uses Selective Catalytic Reduction technology where AdBlue®/Diesel Exhaust Fluid is heated to produce ammonia. This causes a chemical reaction which converts NOx to nitrogen and CO2 – both of which are naturally found in the air. Neither process interrupts machine operation, performance or productivity.

® = registered trademark of the Verband der Automobilindustrie e.V. (VDA)

Cooling fan

The hydraulically-driven, electronically controlled cooling fan regulates the temperature of the vital components. It automatically activates only when needed – reducing fuel consumption and noise. The optional reversible functionality – which blows air in the opposite direction – enables self-cleaning of the cooling units.



Volvo engine

Featuring proven, advanced technology and built on decades of experience, Volvo's robust D13 Stage IV/Tier 4 Final engine boasts more power while reducing both fuel consumption and emissions and delivering superior quality, reliability and durability.



Reinforced undercarriage

With a strong three-piece undercarriage and a high strength tensile steel X-shaped frame, Volvo excavators are built to withstand tough conditions. For superior durability, the undercarriage components are reinforced – ensuring long life and high uptime.

Reinforced quality.

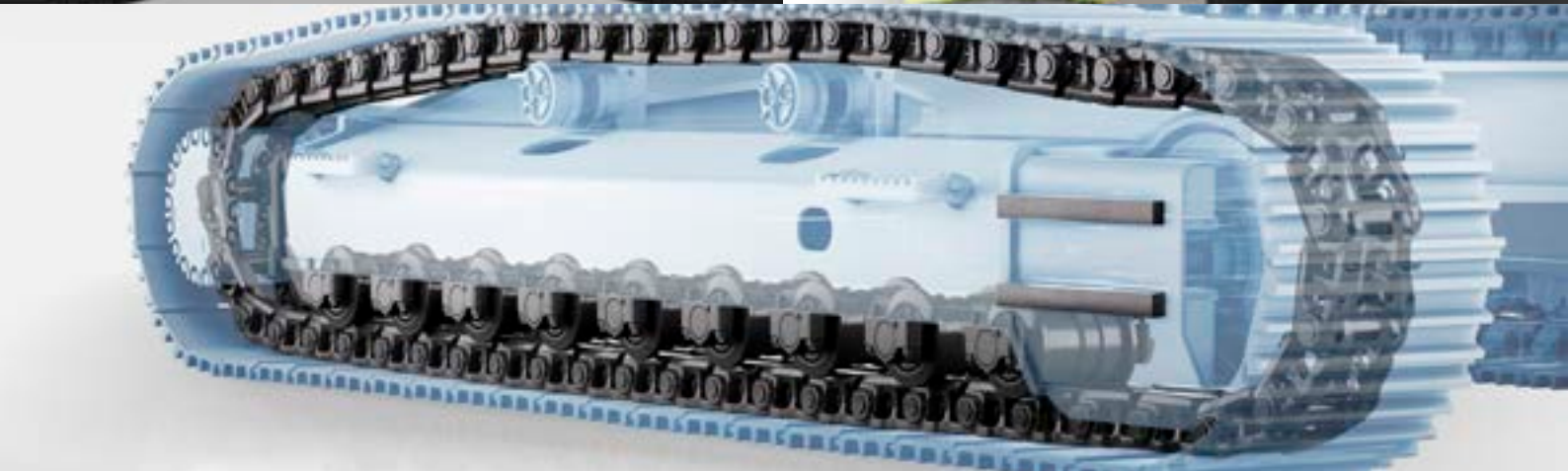
If you're looking for a strong and reliable excavator to handle tough conditions then look no further than the EC480E. Whether you're working on a quarry, in mass excavation or any other application, this robust, heavy-duty production machine has the quality and durability you need to work on demanding job sites.

Superstructure undercover

The heavy-duty superstructure undercover plates increase durability by providing additional protection to the underside of the machine in tough applications – preventing damage from rock and debris.

Doors and hinges

Volvo's durable design features a rigid side door with a robust handle and hinges for superior durability.



Robust design

The reinforced idler frame, track links and bottom rollers are built to withstand tough conditions for improved durability and reliability in demanding applications.

Upping your uptime.

Maintaining and servicing construction equipment is essential in order to sustain maximum performance and productivity – but this shouldn't be a complicated or time consuming task. With large, wide opening compartment doors and grouped service points, Volvo makes maintenance easy. Increase your uptime with Volvo.

Service access

Grouped filters are quick and easy to access from ground level. To facilitate fast servicing, grouped greasing points are easily accessed with the machine in one position.

Anti-slip plates

Punched anti-slip plates provide superior grip and increased safety. The design facilitates easy cleaning.



Storage space

A large storage compartment provides a safe and convenient location for items including a toolbox and grease can.



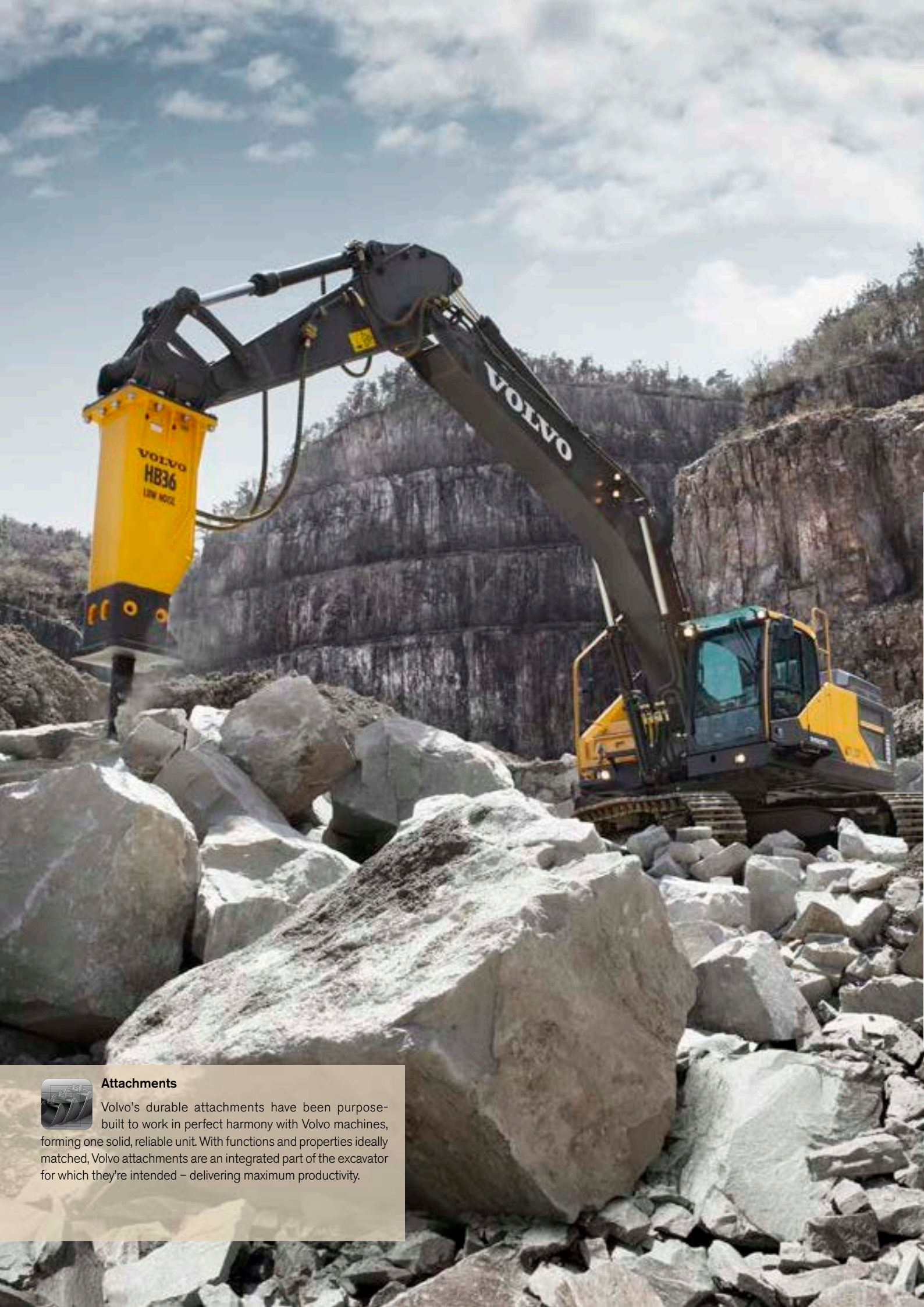
Handrails

Handrails and full size guardrails provide safe and easy access to the cab and superstructure.



Single module cooler

The radiator, charged air cooler and hydraulic oil cooler are situated side-by-side on a single layer to maximize efficiency, reduce blockages and aid cleaning. The system is easily accessed from ground level by simply opening the side door.



Attachments

Volvo's durable attachments have been purpose-built to work in perfect harmony with Volvo machines, forming one solid, reliable unit. With functions and properties ideally matched, Volvo attachments are an integrated part of the excavator for which they're intended – delivering maximum productivity.

The perfect match.

Maximize your productivity and profitability with the EC480E and Volvo's durable range of attachments. Increase your versatility, access more applications and effectively perform a variety of tasks – all while experiencing faster cycle times and excellent control. Get the most out of your excavator with Volvo.

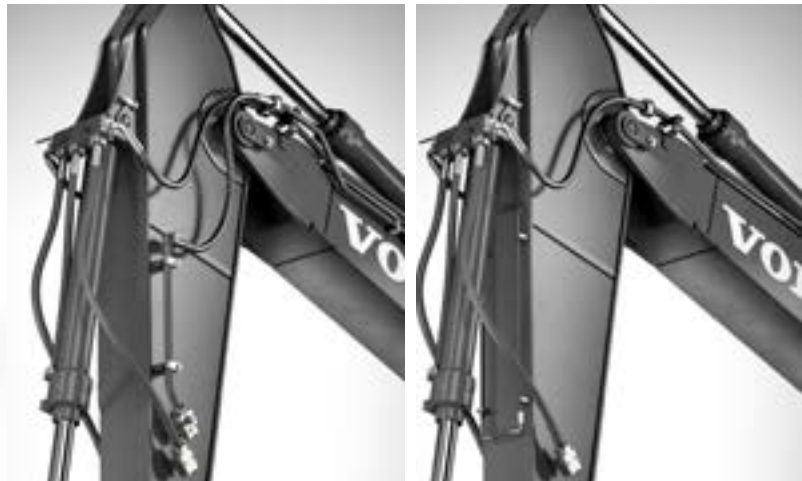
Bucket range

Volvo's general purpose buckets are the perfect tool for digging and re-handling in soft to medium conditions. Heavy-duty buckets are intended for productive digging in compact materials. Both provide maximum productivity and long life.



Optional auxiliary hydraulics

Factory fitted breaker and shear piping (X1) as well as tilt and rotator piping (X3) increase versatility by enabling a wide range of additional attachments to be used.



S-type quick coupler

The Volvo S-type quick coupler is designed to work with Volvo attachments – delivering ultimate compatibility and unrivalled performance.

Universal quick coupler

The Volvo universal quick coupler offers maximum versatility. It picks up a variety of attachments from various manufacturers and meets new safety regulations.

Genuine Volvo wear parts

Volvo offers a selection of economic, replaceable wear parts including high quality teeth, segments, side cutters, adapters and shrouds to protect the bucket and ensure long life.

Do more.

Safe access

Punched anti-slip plates, handrails and full size guardrails provide safe and easy access to the machine.



HMI

All machine interfaces are ergonomically positioned and designed for optimum control and efficiency.

Advanced hydraulics

New electro-hydraulic system and main control valve use intelligent technology to control on-demand flow for high performance and efficiency.

Quick coupler

The Volvo quick coupler offers maximum versatility, picking up a wide variety of attachments.



Attachments

Volvo's durable attachments have been purpose-built to deliver maximum productivity and long service life in combination with Volvo machines.



Reinforced undercarriage

The undercarriage components are reinforced to ensure long life, high uptime and ultimate durability in tough conditions.

Volvo After Treatment System

The automatic regeneration process takes place without interrupting machine operation, performance or productivity.



AdBlue®

Volvo offers a total AdBlue solution that is quality assured, cost efficient and easily accessible. Contact your Volvo dealer for more information.

LCD monitor

The new, eight inch LCD monitor clearly displays machine status information for easy operation and increased productivity.



ECO mode

Volvo's unique ECO mode improves fuel efficiency without any loss of performance in most operating conditions.

Service access

Grouped filters are quick and easy to access from ground level via large, wide compartment doors.



Volvo engine

Volvo's D13 Stage IV/Tier 4 Final engine boasts more power while reducing both fuel consumption and emissions and delivering superior quality, reliability and durability.



Single module cooler

The radiator, charged air cooler and hydraulic oil cooler are situated side-by-side on a single layer to maximize efficiency, reduce blockages and aid cleaning.

Adding value to your business.

Being a Volvo customer means having a complete set of services at your fingertips. Volvo can offer you a long-term partnership, protect your revenue and provide a full range of customer solutions using high quality parts, delivered by passionate people. Volvo is committed to the positive return of your investment.



Complete Solutions

Volvo has the right solution for you. So why not let us provide all your needs throughout the whole life cycle of your

machine? By listening to your requirements, we can reduce your total cost of ownership and increase your revenue.



Genuine Volvo Parts

Our attention to detail is what makes us stand out. This proven concept acts as a solid investment in your machine's future. Parts are extensively tested and approved because every part is vital for uptime and performance. Only by using Genuine Volvo Parts, can you be sure that your machine retains the renowned Volvo quality.



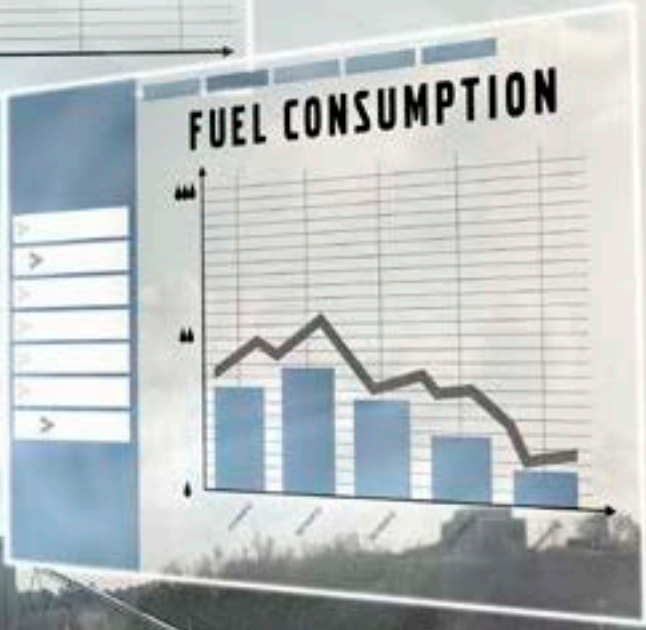
Service Network

In order to respond to your needs faster, a Volvo expert is on their way to your job site from one of our Volvo facilities. With our extensive infrastructure of technicians, workshops and dealers, Volvo has a comprehensive network to fully support you using local knowledge and global experience.



SERVICE PLAN

DAY01	DAY02	DAY03	DAY04	DAY05	DAY06	DAY07
						✓
			✓	✓		
	✓					
		✓			✓	✓
✓						
		✓		✓		



Customer Support Agreements

The range of Customer Support Agreements offer preventive maintenance, total repairs and a number of uptime services. Volvo uses the latest technology to monitor machine operation and status, giving you advice to increase your profitability. By having a Customer Support Agreement you are in control of your service costs.

Volvo EC480E in detail.

Engine

The latest generation, Volvo engine Tier 4f (Stage IV) emissions compliant diesel engine fully meets the demands of the latest, emissions regulations. Featuring Volvo Advanced Combustion Technology (V-ACT), it is designed to deliver superior performance and fuel efficiency. The engine uses precise, high-pressure fuel injectors, turbo charger and air-to-air intercooler, and electronic engine controls to optimize machine performance.

Air Filter: 3-stage with precleaner.

Automatic Idling System: Reduces engine speed to idle when the levers and pedals are not activated resulting in less fuel consumption and low cab noise levels.

Engine Tier 4f (Stage IV)	Volvo	D13J
Max power at	r/s / r/min	30 / 1800
Net, ISO 9249/SAE J1349	kW / hp	277 / 377
Gross, ISO 14396/SAE J1995	kW / hp	278 / 378
Max torque at	Nm / r/min	1 890 / 1 350
No. of cylinders		6
Displacement	l	12.8
Bore	mm	131
Stroke	mm	158

Electrical system

High-capacity electrical system that is well protected. Waterproof double-lock harness plugs are used to secure corrosion-free connections. The main relays and solenoid valves are shielded to prevent damage. The master switch is standard.

Contronics provides advanced monitoring of machine functions and important diagnostic information.

Voltage	V	24
Batteries	V	2 x 12
Battery capacity	Ah	200
Alternator	V / Ah	28 / 80

Swing system

The swing system uses an axial piston motors, driving a planetary gearbox for maximum torque. An automatic holding brake and anti-rebound valve are standard.

Max. slew speed	r/min	9.3
Max. slew torque	kNm	166.3

Drive

Each track is powered by an automatic two-speed shift travel motor. The track brakes are multi-disc, spring-applied and hydraulic released. The travel motor, brake and planetary gears are well protected within the track frame.

Max. drawbar pull	kN	333.4
Max. travel speed	km/h	3.2 / 5.2
Gradeability	°	35

Undercarriage

The undercarriage has a robust X-shaped frame. Greased and sealed track chains are standard.

Track pads		2 x 52
Link pitch	mm	215.9
Shoe width, triple grouser	mm	600/600HD*/700/800/900
Shoe width, double grouser	mm	600
Bottom rollers		2 x 9
Top rollers		2 x 2
Top rollers (retractable)		2 x 3

* Not HD shoe but HD track link

Sound Level

Sound level in cab according to ISO 6396		
LpA	dB(A)	71
External sound level according to ISO 6395 and EU Noise Directive (2000/14/EC) and 474-1:2006 +A1:2009		
LwA	dB(A)	106

Hydraulic system

The new electro-hydraulic system and new MCV (main control valve) use intelligent technology to control on-demand flow for high-productivity, high-digging capacity and excellent fuel consumption. The following important functions are included in the system for optimum performance:

Summation system: Combines the flow of both hydraulic pumps to ensure quick cycle times and high productivity.

Boom priority: Gives priority to the boom operation for faster raising when loading or performing deep excavations.

Arm priority: Gives priority to the arm operation for faster cycle times in leveling and for increased bucket filling when digging.

Swing priority: Gives priority to swing functions for faster simultaneous operations.

Regeneration system: Prevents cavitation and provides flow to other movements during simultaneous operations for maximum productivity.

Power boost: All digging and lifting forces are increased.

Holding valves: Boom and arm holding valves prevent the digging equipment from creeping.

Main pump, Type 2 x variable displacement axial piston pumps		
Maximum flow	l/min	2 x 376

Pilot pump, Type Gear pump		
Maximum flow	l/min	32

Hydraulic motors

Travel: Variable displacement axial piston motor with mechanical brake

Slew: Fixed displacement axial piston motor with mechanical brake

Relief valve setting		
Implement	MPa	32.4/35.3
Travel circuit	MPa	32.4
Slew circuit	MPa	25.8
Pilot circuit	MPa	3.9

Hydraulic cylinders

Mono boom		2
Bore x Stroke	ø x mm	165 x 1 590
Arm		1
Bore x Stroke	ø x mm	190 x 1 850
Bucket		1
Bore x Stroke	ø x mm	165 x 1 335
ME Bucket		1
Bore x Stroke	ø x mm	175 x 1 335

Service refill capacities

Fuel tank	l	680
AdBlue® tank	l	62.5
Hydraulic system, total	l	525
Hydraulic tank	l	270
Engine oil	l	42
Engine coolant	l	60
Slew reduction unit	l	2 x 6
Travel reduction unit	l	2 x 7.5

Cab

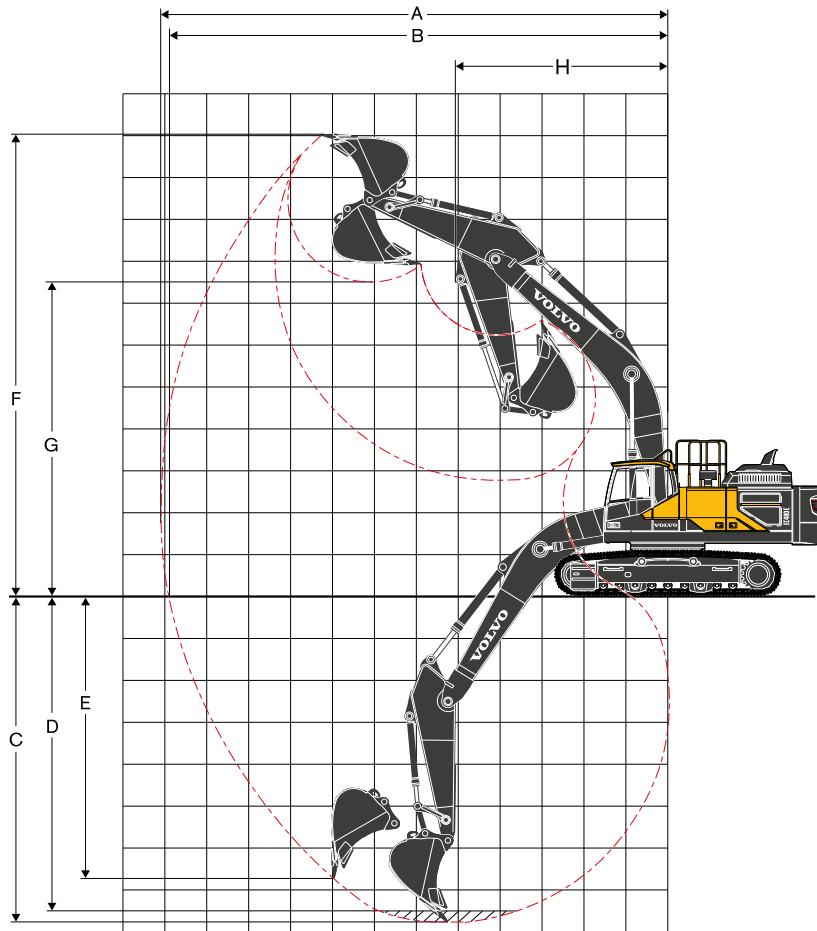
The operator's cab has easy access via a wide door opening. The cab is supported on hydraulic dampening mounts to reduce shock and vibration levels. These along with sound absorbing lining provide low noise levels. The cab has excellent all-round visibility. The front windshield can easily slide up into the ceiling, and the lower front glass can be removed and stored in the side door. Integrated air-conditioning and heating system:

The pressurized and filtered cab air is supplied by an automatically-controlled fan. The air is distributed throughout the cab from 14 vents.

Ergonomic operator's seat: The adjustable seat and joystick console move independently to accommodate the operator. The seat has nine different adjustments plus a seat belt for the operator's comfort and safety.

Specifications.

WORKING RANGE



Description	Unit	EC480E *					EC480E, mechanically retractable width **				
		6.5 ME	2.55	3.35	3.9	4.8	6.5 ME	2.55	3.35	3.9	4.8
Boom	m										
Arm	m	2.55	2.55	3.35	3.9	4.8	2.55	2.55	3.35	3.9	4.8
A. Max. digging reach	mm	10 934	11 453	12 146	12 645	13 366	10 934	11 453	12 146	12 644	13 366
B. Max. digging reach on ground	mm	10 690	11 221	11 927	12 434	13 168	10 665	11 197	11 905	12 413	13 148
C. Max. digging depth	mm	6 586	7 028	7 828	8 378	9 278	6 476	6 918	7 718	8 268	9 168
D. Max. digging depth (2.44 m level)	mm	6 418	6 860	7 686	8 250	9 167	6 308	6 750	7 576	8 139	9 057
E. Max. vertical wall digging depth	mm	5 769	6 242	6 774	7 214	7 625	5 659	6 132	6 664	7 104	7 515
F. Max. cutting height	mm	10 584	10 910	11 064	11 234	11 168	10 694	11 021	11 174	11 344	11 278
G. Max. dumping height	mm	6 957	7 310	7 526	7 713	7 744	7 067	7 420	7 636	7 823	7 854
H. Min. front slew radius	mm	4 758	5 040	5 088	5 050	5 100	4 757	5 043	5 088	5 050	5 100
Digging forces with direct fit bucket											
Bucket radius	mm	1 923	1 810	1 810	1 810	1 810	1 923	1 810	1 810	1 810	1 810
Breakout force - bucket (Normal/Power boost)	SAE J1179	kN	253	230	230	230	230	253	230	230	230
	ISO 6015	kN	285	261	261	261	261	285	261	261	261
	ISO 6015	kN	311	284	284	284	284	311	284	284	284
Tearout force - dipper arm (Normal/Power boost)	SAE J1179	kN	225	232	196	176	160	225	232	196	176
	SAE J1179	kN	244	252	215	192	174	244	252	215	192
	ISO 6015	kN	232	239	201	179	163	232	239	201	179
ISO 6015	kN	253	260	220	196	178	253	260	220	196	
Rotation angle, bucket	°	169	183	183	183	183	169	183	183	183	183

* FIXED UNDERCARRIAGE, Machine with pin-on bucket

** RETRACTABLE UNDERCARRIAGE, Machine with pin-on bucket

MACHINE WEIGHTS AND GROUND PRESSURE

Description	Shoe width	Operating weight	Ground pressure	Operating weight	Ground pressure
	mm	kg	kPa	kg	kPa
Triple grouser	600	47 961	87.5	49 011	89.4
	700	48 463	75.8	49 513	77.4
	800	48 972	67.0	50 015	68.4
	900	49 476	60.2	50 517	61.4
Triple grouser(HD)	600	48 075	87.7	49 125	89.6
Double grouser	600	48 013	87.6	49 063	89.5
EC480EL with FIXED undercarriage, 7.0 m boom, 3.35 m arm, 2 200 kg bucket, 9 750 kg counterweight			EC480EL with RETRACTABLE undercarriage, 7.0 m boom, 3.35 m arm, 2 200 kg bucket, 9 750 kg counterweight		

BUCKET SELECTION GUIDE

Bucket type	Capacity	Cutting width	Weight	Teeth	EC480EL fixed undercarriage					
					6.5 ME		7.0m Boom			
					600mm shoe, 9 050kg counterweight					
	L	mm	kg	EA	ME2.55m	2.55m	3.35m	3.9m	4.8m	
Direct fit Buckets	General purpose	1 550	1 200	1 763	4	C	C	C	C	C
		2 100	1 500	2 085	5	C	C	C	C	B
		2 380	1 650	2 217	5	C	C	C	C	B
		2 660	1 800	2 350	5	C	C	B	B	A
		2 840	1 900	2 441	5	C	C	B	A	X
	Heavy duty	2 310	2 150	2 712	6	C	B	A	X	X
		2 100	1 500	2 316	5	D	D	D	C	B
		2 380	1 650	2 453	5	D	D	C	B	A
		2 660	1 800	2 606	5	D	C	B	A	X
		2 660	1 800	2 565	5	D	C	B	B	X
2 840	1 900	2 698	5	D	C	B	A	X		
2 840	1 900	2 657	5	D	C	B	A	X		
Bucket type	Capacity	Cutting width	Weight	Teeth	EC480EL retractable undercarriage					
					6.5 ME		7.0m Boom			
					600mm shoe, 9 050kg counterweight					
	L	mm	kg	EA	ME2.55m	2.55m	3.35m	3.9m	4.8m	
Direct fit Buckets	General purpose	1 550	1 200	1 763	4	C	C	C	C	C
		2 100	1 500	2 085	5	C	C	C	C	C
		2 380	1 650	2 217	5	C	C	C	C	B
		2 660	1 800	2 350	5	C	C	C	B	B
		2 840	1 900	2 441	5	C	C	C	B	A
	Heavy duty	2 310	2 150	2 712	6	C	B	A	A	X
		2 100	1 500	2 316	5	D	D	D	D	C
		2 380	1 650	2 453	5	D	D	D	C	B
		2 660	1 800	2 606	5	D	D	C	B	A
		2 660	1 800	2 565	5	D	D	C	B	A
2 840	1 900	2 698	5	D	D	B	B	X		
2 840	1 900	2 657	5	D	D	B	B	A		

Please consult with your Volvo dealer for the proper match of buckets and attachments to suit the application.

The recommendations are given as a guide only, based on typical operation conditions.

Bucket capacity based on ISO 7451, heaped material with a 1:1 angle of repose.

X : Not recommended

Maximum material density

A	1 200 - 1 300 kg/m ³	Coal, Caliche, Shale
B	1 400 - 1 600 kg/m ³	Wet earth and clay, Limestone, Sandstone
C	1 700 - 1 800 kg/m ³	Granite, Wet sand, Well blasted rock
D	> 1 900 kg/m ³	Wet mud, Iron ore

Specifications.

LIFTING CAPACITY EC480EL

Lifting capacity at the arm end without bucket.

For lifting capacity including bucket, simply subtract actual weight of the direct fit bucket or the bucket with quick coupler from the following values.

	Lifting hook related to ground level	1.5 m		3.0 m		4.5 m		6.0 m		7.5 m		9.0 m		10.5 m		Max. reach						
		Along UC	Across UC	Along UC	Across UC	Along UC	Across UC	Along UC	Across UC	Along UC	Across UC	Along UC	Across UC	Along UC	Across UC	Along UC	Across UC	m				
Boom : 6.5m	7.5 m kg																	*12 260	10 950	7.3		
Arm : 2.55m	6 m kg							*13 240	*13 240	*12 170	10 330							*12 020	8 980	8.2		
Shoe : 600mm	4.5 m kg					*19 760	*19 760	*15 080	14 020	*12 920	10 050							*12 020	7 970	8.7		
CWT : 9 050kg	3 m kg					*23 490	19 950	*17 140	13 310	*13 940	9 700							11 850	7 480	8.9		
	1.5 m kg					*17 070	*17 070	*18 690	12 770	*14 810	9 400							11 720	7 360	8.9		
	0 m kg							*25 150	19 040	*19 320	12 500	15 010	9 220							12 170	7 600	8.7
	-1.5 m kg			*18 520	*18 520	*24 790	19 130	*18 890	12 460	*14 780	9 200							*13 220	8 320	8.1		
	-3 m kg			*28 510	*28 510	*22 150	19 420	*17 070	12 650									*13 320	9 910	7.2		
	-4.5 m kg					*17 040	*17 040													5.8		
Boom : 7.0m	9.0 m kg																	*11 710	*11 710	6.6		
Arm : 2.55m	7.5 m kg									*11 170	10 460							*11 270	9 550	7.9		
Shoe : 600mm	6 m kg							*12 920	*12 920	*11 540	10 280							*11 180	8 030	8.7		
CWT : 9 050kg	4.5 m kg					*14 950	13 740	*12 500	9 930	*11 320	7 520							*11 260	7 210	9.2		
	3 m kg							*17 080	12 990	*13 610	9 540	11 670	7 350							10 790	6 800	9.5
	1.5 m kg							*18 570	12 480	*14 540	9 230	11 490	7 190							10 680	6 700	9.5
	0 m kg							*19 110	12 260	14 820	9 050	11 400	7 110							11 040	6 900	9.2
	-1.5 m kg							*24 260	18 880	*18 750	12 240	*14 780	9 020							12 010	7 470	8.7
	-3 m kg					*27 060	*27 060	*22 120	19 160	*17 360	12 410	*13 500	9 180							*12 490	8 680	7.9
	-4.5 m kg					*18 270	*18 270	*14 090	12 840									*12 200	11 400	6.6		
Boom : 7.0m	9.0 m kg																	*10 650	*10 650	7.2		
Arm : 3.0m	7.5 m kg									*10 270	*10 270							*10 380	8 750	8.3		
Shoe : 600mm	6 m kg									*10 800	10 280	*10 350	7 610							*10 360	7 430	9.1
CWT : 9 050kg	4.5 m kg					*18 750	*18 750	*14 010	13 790	*11 810	9 890	*10 690	7 460							*10 490	6 700	9.6
	3 m kg							*16 220	12 970	*13 000	9 460	*11 270	7 250							10 090	6 320	9.8
	1.5 m kg							*17 920	12 360	*14 040	9 100	11 360	7 050							9 980	6 210	9.8
	0 m kg							*17 740	*17 740	*18 750	12 050	14 640	8 870	11 220	6 920					10 270	6 360	9.6
	-1.5 m kg					*13 630	*13 630	*24 700	18 450	*18 680	11 970	14 560	8 790	11 220	6 920					11 070	6 840	9.1
	-3 m kg			*25 270	*25 270	*22 860	18 700	*17 650	12 090	*13 860	8 890							*11 990	7 830	8.3		
	-4.5 m kg					*19 560	19 180	*15 150	12 440									*12 050	9 950	7.1		
Boom : 7.0m	9.0 m kg									*10 020	*10 020							*10 080	*10 080	7.6		
Arm : 3.35m	7.5 m kg									*9 760	*9 760							*9 470	8 200	8.7		
Shoe : 600mm	6 m kg									*10 360	*10 360	*9 900	7 720							*9 270	7 050	9.5
CWT : 9 050kg	4.5 m kg					*17 590	*17 590	*13 440	*13 440	*11 430	10 010	*10 360	7 540							*9 340	6 390	9.9
	3 m kg					*22 320	19 770	*15 730	13 150	*12 680	9 560	*11 020	7 310							9 640	6 050	10.2
	1.5 m kg					*15 350	*15 350	*17 590	12 490	*13 820	9 180	11 410	7 090							9 530	5 940	10.2
	0 m kg					*18 910	18 400	*18 640	12 110	*14 580	8 910	11 240	6 940							9 780	6 070	9.9
	-1.5 m kg			*13 700	*13 700	*25 160	18 410	*18 790	11 980	14 560	8 800	11 190	6 890							10 470	6 480	9.4
	-3 m kg			*23 340	*23 340	*23 580	18 620	*18 020	12 060	*14 180	8 850							*11 610	7 330	8.7		
	-4.5 m kg			*27 470	*27 470	*20 660	19 040	*15 940	12 340	*11 940	9 150							*11 790	9 080	7.5		
Boom : 7.0m	9 m kg																	*8 060	*8 060	8.3		
Arm : 3.9m	7.5 m kg																	*7 630	7 470	9.3		
Shoe : 600mm	6 m kg									*9 620	*9 620	*9 230	7 850							*7 490	6 510	10.0
CWT : 9 050kg	4.5 m kg							*12 430	*12 430	*10 750	10 160	*9 800	7 630							*7 550	5 940	10.4
	3 m kg							*20 560	20 370	*14 830	13 390	*12 090	9 680	*10 550	7 370	9 210	5 780	*7 800	5 630	10.7		
	1.5 m kg					*20 860	19 030	*16 920	12 640	*13 350	9 250	*11 300	7 120	9 080	5 660			*8 260	5 530	10.7		
	0 m kg					*20 810	18 450	*18 280	12 170	*14 280	8 930	11 230	6 930							*9 000	5 630	10.4
	-1.5 m kg	*9 630	*9 630	*13 700	*13 700	*25 520	18 320	*18 780	11 950	14 530	8 760	11 130	6 830							9 630	5 960	10.0
	-3 m kg	*16 090	*16 090	*21 130	*21 130	*24 410	18 440	*18 370	11 950	*14 450	8 750	11 170	6 870							10 750	6 640	9.3
	-4.5 m kg			*30 400	*30 400	*22 040	18 770	*16 850	12 150	*13 070	8 920							*11 330	7 960	8.2		
	-6 m kg					*17 660	*17 660	*13 260	12 630									*11 290	10 990	6.7		
Boom : 7.0m	9 m kg											*7 880	*7 880							*7 290	*7 290	9.2
Arm : 4.8m	7.5 m kg									*7 720	*7 720							*7 020	6 540	10.1		
Shoe : 600mm	6 m kg									*9 440	*9 440	*8 760	7 720	*8 380	5 940			*7 040	5 290	11.2		
CWT : 9 050kg	4.5 m kg					*17 390	*17 390	*13 050	*13 050	*10 870	9 810	*9 610	7 410	*8 850	5 770			*7 300	5 020	11.4		
	3 m kg					*21 700	19 470	*15 450	12 810	*12 310	9 290	*10 500	7 100	9 020	5 590			*7 740	4 910	11.4		
	1.5 m kg					*24 290	18 440	*17 250	12 150	*13 490	8 880	11 160	6 840	8 870	5 450			8 080	4 960	11.2		
	0 m kg					*9 300	*9 300	*13 830	*13 830	*25 250	18 010	*18 260	11 780	*14 250	8 610	10 970	6 670	8 780	5 370	8 490	5 190	10.8
	-1.5 m kg					*14 260	*14 260	*19 340	*19 340	*24 960	17 960	*18 420	11 650	14 260	8 500	10 900	6 610			9 300	5 680	10.1
	-3 m kg	*19 970	*19 970	*26 530	*26 530	*23 480	18 160	*17 630	11 730	*13 820	8 550	*10 870	6 720							*10 600	6 590	9.1
	-4.5 m kg			*28 670	*28 670	*20 450	18 630	*15 490	12 030	*11 730	8 840							*11 050	8 450	7.8		
Boom : 6.5m	7.5 m kg																	*12 260	11 050	7.3		
Arm : 2.55m	6 m kg							*13 240	*13 240	*12 170	10 420							*12 020	9 060	8.2		
Shoe : 700mm	4.5 m kg					*19 760	*19 760	*15 080	14 140	*12 920	10 140							*12 020	8 050	8.7		
CWT : 9 050kg	3 m kg					*23 490	20 140	*17 140	13 430	*13 940	9 790							11 970	7 550	8.9		
	1.5 m kg					*17 070	*17 070	*18 690	12 900	*14 810	9 490							11 840	7 430	8.9		
	0 m kg							*25 150	19 220	*19 320	12 620	15 170	9 310							12 290	7 680	8.7
	-1.5 m kg					*18 520	*18 520	*24 790	19 310	*18 890	12 590	*14 780	9 290							*13 220	8 400	8.1
	-3 m kg			*28 510	*28 510	*22 150	19 610	*17 070	12 770									*13 320	10 000	7.2		
	-4.5 m kg					*17 040	*17 040													5.8		
Boom : 7.0m	9.0 m kg																	*11 710	*11 710	6.6		
Arm : 2.55m	7.5 m kg									*11 170	10 550							*11 270	9 630	7.9		
Shoe : 700mm	6 m kg							*12 920	*12 920	*11 540	10 370							*11 180	8 110	8.7		
CWT : 9 050kg	4.5 m kg							*14 950	13 860	*12 500	10 020	*11										

LIFTING CAPACITY EC480EL

Lifting capacity at the arm end without bucket.

For lifting capacity including bucket, simply subtract actual weight of the direct fit bucket or the bucket with quick coupler from the following values.

	Lifting hook related to ground level	1.5 m		3.0 m		4.5 m		6.0 m		7.5 m		9.0 m		10.5 m		Max. reach		m		
		Along UC	Across UC	Along UC	Across UC	Along UC	Across UC	Along UC	Across UC	Along UC	Across UC	Along UC	Across UC	Along UC	Across UC	Along UC	Across UC			
Boom : 7.0m	9.0 m	kg									*10 020	*10 020					*10 080	*10 080	7.6	
Arm : 3.35m	7.5 m	kg									*9 760	*9 760					*9 470	8 280	8.7	
Shoe : 700mm	6 m	kg									*10 360	*10 360	*9 900	7 800			*9 270	7 120	9.5	
CWT : 9 050kg	4.5 m	kg					*17 590	*17 590	*13 440	*13 440	*11 430	10 100	*10 360	7 620			*9 340	6 460	9.9	
	3 m	kg					*22 320	19 950	*15 730	13 270	*12 680	9 660	*11 020	7 380			*9 670	6 110	10.2	
	1.5 m	kg					*15 350	*15 350	*17 590	12 610	*13 820	9 270	11 530	7 170			9 630	6 010	10.2	
	0 m	kg					*18 910	18 590	*18 640	12 240	*14 580	9 000	11 360	7 010			9 880	6 140	9.9	
	-1.5 m	kg			*13 700	*13 700	*25 160	18 600	*18 790	12 110	14 720	8 890	11 310	6 970			10 590	6 550	9.4	
	-3 m	kg			*23 340	*23 340	*23 580	18 800	*18 020	12 180	*14 180	8 940					*11 610	7 410	8.7	
	-4.5 m	kg			*27 470	*27 470	*20 660	19 230	*15 940	12 460	*11 940	9 240					*11 790	9 170	7.5	
Boom : 7.0m	9 m	kg															*8 060	*8 060	8.3	
Arm : 3.9m	7.5 m	kg											*9 070	8 010			*7 630	7 540	9.3	
Shoe : 700mm	6 m	kg										*9 620	*9 230	7 920			*7 490	6 570	10.0	
CWT : 9 050kg	4.5 m	kg							*12 430	*12 430	*10 750	10 250	*9 800	7 710			*7 550	6 000	10.4	
	3 m	kg						*20 560	20 550	*14 830	13 510	*12 090	9 770	*10 550	7 450	9 310	5 840	*7 800	5 690	10.7
	1.5 m	kg						*20 860	19 210	*16 920	12 770	*13 350	9 340	*11 300	7 200	9 180	5 720	*8 260	5 590	10.7
	0 m	kg						*20 810	18 630	*18 280	12 290	*14 280	9 030	11 360	7 000			*9 000	5 690	10.4
	-1.5 m	kg	*9 630	*9 630	*13 700	*13 700	*25 520	18 500	*18 780	12 070	14 680	8 860	11 250	6 910			9 740	6 020	10.0	
	-3 m	kg	*16 090	*16 090	*21 130	*21 130	*24 410	18 620	*18 370	12 070	*14 450	8 840	11 290	6 950			10 870	6 710	9.3	
	-4.5 m	kg			*30 400	*30 400	*22 040	18 960	*16 850	12 270	*13 070	9 020					*11 330	8 040	8.2	
	-6 m	kg					*17 660	*17 660	*13 260	12 750							*11 290	11 100	6.7	
Boom : 7.0m	9 m	kg											*7 880	*7 880			*7 290	*7 290	9.2	
Arm : 4.8m	7.5 m	kg											*7 720	*7 720			*7 020	6 600	10.1	
Shoe : 700mm	6 m	kg											*8 080	8 060	*8 090	6 120	*6 950	5 830	10.8	
CWT : 9 050kg	4.5 m	kg									*9 440	*9 440	*8 760	7 790	*8 380	6 000	*7 040	5 350	11.2	
	3 m	kg						*17 390	*17 390	*13 050	*13 050	9 900	*9 610	7 480	*8 850	5 830	*7 300	5 070	11.4	
	1.5 m	kg						*21 700	19 650	*15 450	12 940	*12 310	9 390	*10 500	7 170	9 120	5 650	*7 740	4 970	11.4
	0 m	kg						*24 290	18 620	*17 250	12 280	*13 490	8 970	*11 250	6 910	8 970	5 510	8 180	5 020	11.2
	-1.5 m	kg	*9 300	*9 300	*13 830	*13 830	*25 250	18 200	*18 260	11 900	*14 250	8 700	11 090	6 740	8 880	5 430	8 590	5 250	10.8	
	-3 m	kg	*14 260	*14 260	*19 340	*19 340	*24 960	18 140	*18 420	11 770	14 410	8 590	11 030	6 680			9 400	5 740	10.1	
	-4.5 m	kg	*19 970	*19 970	*26 530	*26 530	*23 480	18 340	*17 630	11 850	*13 820	8 650	*10 870	6 790			*10 600	6 670	9.1	
	-6 m	kg					*20 450	18 810	*15 490	12 160	*11 730	8 930					*11 050	8 540	7.8	
Boom : 7.0m	9.0 m	kg															*11 710	*11 710	6.6	
Arm : 2.55m	7.5 m	kg										*11 170	10 920				*11 270	9 980	7.9	
Shoe : 600mm	6 m	kg							*12 920	*12 920	*11 540	10 740					*11 180	8 410	8.7	
CWT : 9 750kg	4.5 m	kg							*14 950	14 350	*12 500	10 380	*11 320	7 880			*11 260	7 570	9.2	
	3 m	kg							*17 080	13 600	*13 610	10 000	*11 790	7 710			*11 220	7 150	9.5	
	1.5 m	kg							*18 570	13 090	*14 540	9 690	11 950	7 550			*11 110	7 050	9.5	
	0 m	kg							*19 110	12 860	*15 020	9 510	11 860	7 470			11 490	7 250	9.2	
	-1.5 m	kg						*24 260	19 790	*18 750	12 850	*14 830	9 480				*12 310	7 850	8.7	
	-3 m	kg						*22 120	20 070	*17 360	13 020	*13 500	9 640				*12 490	9 110	7.9	
	-4.5 m	kg			*27 060	*27 060	*22 120	20 070	*17 360	13 020	*13 500	9 640					*12 200	11 940	6.6	
	-6 m	kg						*18 270	*18 270	*14 090	13 450									
Boom : 7.0m	9.0 m	kg										*10 020	*10 020					*10 080	*10 080	7.6
Arm : 3.35m	7.5 m	kg										*9 760	*9 760					*9 470	8 280	8.7
Shoe : 600mm	6 m	kg										*10 360	*10 360	*9 900	8 090			*9 270	7 400	9.5
CWT : 9 750kg	4.5 m	kg						*17 590	*17 590	*13 440	*13 440	*11 430	10 470	*10 360	7 910			*9 340	6 470	9.9
	3 m	kg						*22 320	20 680	*15 730	13 760	*12 680	10 020	*11 020	7 680			*9 670	6 370	10.2
	1.5 m	kg						*15 350	*15 350	*17 590	13 100	*13 820	9 630	*11 660	7 460			9 920	6 260	10.2
	0 m	kg						*18 910	*18 910	*18 640	12 720	*14 580	9 370	11 700	7 310			10 180	6 400	9.9
	-1.5 m	kg			*13 700	*13 700	*25 160	19 320	*18 790	12 590	*14 780	9 260	11 650	7 260			10 900	6 830	9.4	
	-3 m	kg			*23 340	*23 340	*23 580	19 530	*18 020	12 660	*14 180	9 300					*11 610	7 720	8.7	
	-4.5 m	kg			*27 470	*27 470	*20 660	19 960	*15 940	12 950	*11 940	9 600					*11 790	9 530	7.5	
	-6 m	kg															*11 290	*11 290	6.7	
Boom : 7.0m	9 m	kg											*7 880	*7 880			*7 290	*7 290	9.2	
Arm : 4.8m	7.5 m	kg											*7 720	*7 720			*7 020	6 860	10.1	
Shoe : 600mm	6 m	kg											*8 080	*8 080	*8 090	6 370	*6 950	6 060	10.8	
CWT : 9 750kg	4.5 m	kg									*9 440	*9 440	*8 760	8 090	*8 380	6 250	*7 040	5 570	11.2	
	3 m	kg						*17 390	*17 390	*13 050	*13 050	*10 870	10 270	*9 610	7 770	*8 850	6 080	*7 300	5 300	11.4
	1.5 m	kg						*21 700	20 380	*15 450	13 420	*12 310	9 750	*10 500	7 460	*9 360	5 900	*7 740	5 190	11.4
	0 m	kg						*24 290	19 350	*17 250	12 760	*13 490	9 340	*11 250	7 210	9 240	5 750	*8 420	5 240	11.2
	-1.5 m	kg	*9 300	*9 300	*13 830	*13 830	*25 250	18 930	*18 260	12 390	*14 250	9 070	11 430	7 030	9 160	5 670	8 860	5 490	10.8	
	-3 m	kg	*14 260	*14 260	*19 340	*19 340	*24 960	18 870	*18 420	12 260	*14 430	8 960	11 360	6 980			9 690	6 000	10.1	
	-4.5 m	kg	*19 970	*19 970	*26 530	*26 530	*23 480	19 070	*17 630	12 340	*13 820	9 010	*10 870	7 080			*10 600	6 950	9.1	
	-6 m	kg					*28 670	*28 670	*20 450	19 540	*15 490	12 640	*11 730	9 300			*11 050	8 890	7.8	

Notes: 1. Machine in "Fine Mode-F" (Power Boost) for lifting capacities. 2. The above loads are in compliance with SAE J1097 and ISO 10567 Hydraulic Excavator Lifting Capacity Standards. 3. Rated loads do not exceed 87% of hydraulic lifting capacity or 75% of tipping load. 4. Rated loads marked with an asterisk (*) are limited by hydraulic capacity rather than tipping load.

LIFTING CAPACITY EC480E mechanically retractable width

Lifting capacity at the arm end without bucket.

For lifting capacity including bucket, simply subtract actual weight of the direct fit bucket or the bucket with quick coupler from the following values.

	Lifting hook related to ground level	1.5 m		3.0 m		4.5 m		6.0 m		7.5 m		9.0 m		10.5 m		Max. reach		m													
		Along UC	Across UC	Along UC	Across UC	Along UC	Across UC	Along UC	Across UC	Along UC	Across UC	Along UC	Across UC	Along UC	Across UC	Along UC	Across UC														
Boom : 7.0m	9 m	kg																*8 060	*8 060	8.3											
Arm : 3.9m	7.5 m	kg											*9 070	8 630				*7 630	*7 630	9.3											
Shoe : 700mm	6 m	kg											*9 230	8 530				*7 490	7 100	10.0											
CWT : 9 050kg	4.5 m	kg						*12 430	*12 430	*10 750	*10 750	*9 800	8 320					*7 550	6 500	10.4											
	3 m	kg						*20 560	*20 560	*14 830	14 630	*12 090	10 560	*10 550	8 050	*9 440	6 330	*7 800	6 170	10.7											
	1.5 m	kg						*20 860	*20 860	*16 920	13 870	*13 350	10 120	*11 300	7 800	9 420	6 210	*8 260	6 070	10.7											
	0 m	kg						*20 810	20 450	*18 280	13 390	*14 280	9 800	11 660	7 610			*9 000	6 180	10.4											
	-1.5 m	kg	*9 630	*9 630	*13 700	*13 700	*25 520	20 310	*18 780	13 170	*14 710	9 630	11 550	7 510				10 000	6 550	10.0											
	-3 m	kg	*16 090	*16 090	*21 130	*21 130	*24 410	20 430	*18 370	13 160	*14 450	9 620	*11 540	7 550				*11 010	7 280	9.3											
	-4.5 m	kg			*30 400	*30 400	*22 040	20 780	*16 850	13 360	*13 070	9 790						*11 330	8 730	8.2											
	-6 m	kg					*17 660	*17 660	*13 260	*13 260								*11 290	*11 290	6.7											
Boom : 7.0m	9 m	kg																*7 290	*7 290	9.2											
Arm : 4.8m	7.5 m	kg												*7 880	*7 880			*7 720	*7 720	10.1											
Shoe : 700mm	6 m	kg												*8 080	*8 080	*8 090	6 620	*6 950	6 300	10.8											
CWT : 9 050kg	4.5 m	kg											*9 440	*9 440	*8 760	8 410	*8 380	6 500	*7 040	5 800	11.2										
	3 m	kg						*17 390	*17 390	*13 050	*13 050	*10 870	10 700	*9 610	8 090	*8 850	6 320	*7 300	5 520	11.4											
	1.5 m	kg						*21 700	21 490	*15 450	14 050	*12 310	10 170	*10 500	7 780	*9 360	6 150	*7 740	5 410	11.4											
	0 m	kg						*24 290	20 440	*17 250	13 380	*13 490	9 750	*11 250	7 520	9 210	6 000	8 410	5 470	11.2											
	-1.5 m	kg	*9 300	*9 300	*13 830	*13 830	*25 250	20 010	*18 260	12 990	*14 250	9 480	11 390	7 340	9 130	5 920		8 830	5 730	10.8											
	-3 m	kg	*14 260	*14 260	*19 340	*19 340	*24 960	19 950	*18 420	12 860	*14 430	9 370	11 330	7 280				9 660	6 260	10.1											
	-4.5 m	kg	*19 970	*19 970	*26 530	*26 530	*23 480	20 160	*17 630	12 940	*13 820	9 420	*10 870	7 390				*10 600	7 260	9.1											
	-6 m	kg			*28 670	*28 670	*20 450	*20 450	*15 490	13 250	*11 730	9 710						*11 050	9 280	7.8											
Boom : 7.0m	9.0 m	kg																*11 710	*11 710	6.6											
Arm : 2.55m	7.5 m	kg											*11 170	*11 170				*11 270	10 720	7.9											
Shoe : 600mm	6 m	kg											*12 920	*12 920	*11 540	11 540		*11 180	9 050	8.7											
CWT : 9 750kg	4.5 m	kg											*14 950	*14 950	*12 500	11 180	*11 320	8 490	*11 260	8 160	9.2										
	3 m	kg											*17 080	14 720	*13 610	10 790	*11 790	8 320	*11 450	7 710	9.5										
	1.5 m	kg											*18 570	14 200	*14 540	10 470	*12 230	8 160	*11 400	7 610	9.5										
	0 m	kg											*19 110	13 970	*15 020	10 290	12 160	8 080	*11 780	7 840	9.2										
	-1.5 m	kg						*24 260	21 630	*18 750	13 950	*14 830	10 260					*12 310	8 490	8.7											
	-3 m	kg						*27 060	*27 060	*22 120	21 920	*17 360	14 130	*13 500	10 420			*12 490	9 850	7.9											
	-4.5 m	kg						*18 270	*18 270	*14 090	*14 090							*12 200	*12 200	6.6											
Boom : 7.0m	9.0 m	kg																*10 080	*10 080	7.6											
Arm : 3.35m	7.5 m	kg											*10 020	*10 020				*9 760	*9 760	8.7											
Shoe : 600mm	6 m	kg											*10 360	*10 360	*9 900	8 700		*9 270	7 970	9.5											
CWT : 9 750kg	4.5 m	kg											*17 590	*17 590	*13 440	*13 440	*11 430	11 260	*10 360	8 520	9.9										
	3 m	kg											*22 320	*22 320	*15 730	14 880	*12 680	10 810	*11 020	8 280	10.2										
	1.5 m	kg											*15 350	*15 350	*17 590	14 210	*13 820	10 420	*11 660	8 060	10.2										
	0 m	kg											*18 910	*18 910	*18 640	13 830	*14 580	10 150	12 000	7 910	9.9										
	-1.5 m	kg											*13 700	*13 700	*25 160	21 160	*18 790	13 700	*14 780	10 040	11 950	7 870	9.4								
	-3 m	kg											*23 340	*23 340	*23 580	21 370	*18 020	13 770	*14 180	10 090	11 610	8 350	8.7								
	-4.5 m	kg											*27 470	*27 470	*20 660	*20 660	*15 940	14 050	*11 940	10 390	11 790	10 310	7.5								
Boom : 7.0m	9 m	kg																	*8 060	*8 060	8.3										
Arm : 3.9m	7.5 m	kg																	*7 630	*7 630	9.3										
Shoe : 600mm	6 m	kg												*9 620	*9 620	*9 230	8 830		*7 490	7 360	10.0										
CWT : 9 750kg	4.5 m	kg												*12 430	*12 430	*10 750	*10 750	*9 800	8 610	*7 550	6 750	10.4									
	3 m	kg												*20 560	*20 560	*14 830	14 830	*12 090	10 930	*10 550	8 350	*9 440	6 580	10.7							
	1.5 m	kg												*20 860	*20 860	*16 920	14 370	*13 350	10 500	*11 300	8 100	9 700	6 460	10.7							
	0 m	kg												*20 810	*20 810	*18 280	13 880	*14 280	10 180	*11 860	7 900			9 000	6 430	10.4					
	-1.5 m	kg	*9 630	*9 630	*13 700	*13 700	*25 520	21 060	*18 780	13 660	*14 710	10 000	11 890	7 810					*10 190	6 810	10.0										
	-3 m	kg	*16 090	*16 090	*21 130	*21 130	*24 410	21 180	*18 370	13 660	*14 450	9 990	*11 540	7 850					*11 010	7 570	9.3										
	-4.5 m	kg												*22 040	21 530	*16 850	13 860	*13 070	10 170					*11 330	9 060	8.2					
	-6 m	kg												*17 660	*17 660	*13 260	*13 260							*11 290	*11 290	6.7					
Boom : 7.0m	9 m	kg																	*7 290	*7 290	9.2										
Arm : 4.8m	7.5 m	kg																	*7 720	*7 720	10.1										
Shoe : 600mm	6 m	kg																	*8 080	*8 080	*8 090	6 870	6 740	*7 040	6 030	11.2					
CWT : 9 750kg	4.5 m	kg																	*9 440	*9 440	*8 760	8 700	*8 380	6 740	*7 040	6 030	11.2				
	3 m	kg																	*17 390	*17 390	*13 050	*13 050	*10 870	*10 870	*9 610	8 390	*8 850	6 570	7 300	5 740	11.4
	1.5 m	kg																	*21 700	*21 700	*15 450	14 540	*12 310	10 540	*10 500	8 070	*9 360	6 390	*7 740	5 630	11.4
	0 m	kg																	*24 290	21 190	*17 250	13 870	*13 490	10 120	*11 250	7 810	9 490	6 240	*8 420	5 700	11.2
	-1.5 m	kg	*9 300	*9 300	*13 830	*13 830	*25 250	20 760	*18 260	13 490	*14 250	9 850	*11 720	7 640	9 400	6 160				9 100	5 970	10.8									
	-3 m	kg	*14 260	*14 260	*19 340	*19 340	*24 960	20 700	*18 420	13 360	*14 430	9 740	*11 670	7 580					9 950	6 520	10.1										
	-4.5 m	kg	*19 970	*19 970	*26 530	*26 530	*23 480	20 910	*17 630	13 4																					

Equipments.

STANDARD EQUIPMENT

Engine

Turbocharged, 4 stroke diesel engine with water cooling, direct injection and charged air cooler that meets Tier 4f EU (Stage IV) requirements

Air filter with indicator

Air intake heater

Cyclone pre-cleaner

Electric engine shut-off

Fuel filter and water separator

Fuel filler pump: 50 l/min, with automatic shut-off

Alternator, 80 A

Electric/Electronic control system

Contronics

Advanced mode control system

Self-diagnostic system

Machine status indication

Engine speed sensing power control

Automatic idling system

One-touch power boost

Safety stop/start function

Adjustable LCD color monitor

Master electrical disconnect switch

Engine restart prevention circuit

High-capacity halogen lights:

Frame-mounted 2

Boom-mounted 2

Batteries, 2 x 12 V / 200 Ah

Start motor, 24 V / 7 kW

Hydraulic system

Hose rupture valve: boom

Overload warning device

Automatic sensing hydraulic system

2-pump flow bucket circuit

Summation system

Boom priority

Arm priority

Swing priority

Boom, arm and bucket regeneration valves

Swing anti-rebound valves

Boom and arm holding valves

Multi-stage filtering system

Cylinder cushioning

Cylinder contamination seals

Auxiliary hydraulic valve

Automatic two-speed travel motors

Hydraulic oil, ISO VG 46

Frame

Access way with handrail

Tool storage area

Punched metal anti-slip plates

Undercover (heavy-duty)

Cab and interior

ROPS (ISO12117-2) certified cab

Silicon oil and rubber mounts with spring

Travel pedals and hand levers

Adjustable operator seat and joystick control console

Control joysticks with 4 switches each

Heater & air-conditioner, automatic

Flexible antenna

Radio with MP3 & USB Jack with bluetooth

Hydraulic safety lock lever

Cab, all-weather sound suppressed, includes:

Cup holders

Door locks

Tinted glass

Floor mat

Horn

Large storage area

Pull-up type front window

Removable lower windshield

Seat belt

Safety glass

Sun screens, front, roof, rear

Rain shield

Windshield wiper with intermittent feature

Rear view camera

Master key

Undercarriage

Undercover (heavy-duty)

Hydraulic track adjusters

Greased and sealed track link

Track Guard

Track shoes

700 mm with triple grousers

Digging equipment

Boom: 7.0 m HD

Arm: 3.35 m HD

Manual centralized lubrication

OPTIONAL EQUIPMENT

Engine

Block heater: 120 V, 240 V

Oil bath pre-cleaner

Diesel coolant heater, 10 kW

Water separator with heater

Auto engine shutdown

Electric

Extra work lights: Halogen or LED

Cab-mounted 3

Boom-mounted 2

Counterweight-mounted 1

Travel alarm

Anti-theft system

Rotating warning beacon

Hydraulic system

Hose rupture valve: arm

Boom float function

Hydraulic piping:

Work tool management system

(up to 20 programmable memories)

Hammer & shear, 1 and 2 pump flow

Hammer & shear:

variable flow and pressure pre-setting

Additional return filter

Slope & rotator

Grapple

Oil leak (drain) line

Quick coupler piping

Volvo hydraulic quick coupler S3

Volvo hydraulic quick coupler VQC-HU

Volvo hydraulic quick coupler DR48

Hydraulic oil, ISO VG 32

OPTIONAL EQUIPMENT

Hydraulic oil, ISO VG 46
Hydraulic oil, ISO VG 68
Hydraulic oil, biodegradable 46
Hydraulic oil, longlife oil 32
Hydraulic oil, longlife oil 46
Hydraulic oil, longlife oil 68

Frame

Hydraulic removable counterweight
Full height counterweight: 8 450 kg, 9 050 kg, 9 750 kg

Cab and interior

Fabric seat with heater
Fabric seat with heater and air suspension
Pilot control pattern change
Opening top hatch
Falling object guard (FOG)
Frame-mounted
Cab-mounted
Cab-mounted falling object protective structure (FOPS)
Smoker kit (ashtray and lighter)
Safety net for front window
Lower wiper with intermittent control
Side view camera
Anti-vandalism kit
Specific key

Undercarriage

Full track guard
Mechanically retractable width track gauge

Track shoes

Track shoes 600/700/800/900 mm with triple grousers
Track shoes 600 mm HD with triple grousers
Track shoes 600 mm with double grousers

Digging equipment

Boom: 6,5 m ME
Arm: 2.55 m, 3.9 m, 4.8 m
Linkage with lifting eye

Service

Tool kit, daily maintenance
Tool kit, full scale
Automatic lubrication system
Air compressor

SELECTION OF VOLVO OPTIONAL EQUIPMENT

**Auxiliary hydraulics
Breaker / Shear
Tilt / Rotator**



Side-view camera



LED Lights



Air compressor



Retractable undercarriage



Removable counterweight



Not all products are available in all markets. Under our policy of continuous improvement, we reserve the right to change specifications and design without prior notice. The illustrations do not necessarily show the standard version of the machine.

VOLVO

Volvo Construction Equipment

www.volvoce.com